

Wabo®Crete StripSeal



Seal Dimension Table								
Model Number	Total Movement		Joint Width "A"				Min. Install Width	
	inches	mm	Min.		Max.		inches	mm
SE-300	3.000	76	0	0	3.000	76	1.500	38
SE-400	4.000	102	0	0	4.000	102	1.500	38
SE-500	5.000	127	0	0	5.000	127	2.000	51
EFE-400	4.000	102	0.500	13	4.500	114	2.500	64

Consult your WBA Representative for factory molded horizontal changes, severe skews or joint intersections

PROJECT NAME: -

PROJECT LOCATION: -

DRAWING DESCRIPTION:
Wabo®Crete StripSeal

DATE: 5/19/10

MODEL: Type "E"



Watson Bowman Acme Corp.
95 Pineview Drive Amherst, NY 14228
phone: (716) 691-7566 fax: (716) 691-9239
www.wbacorp.com

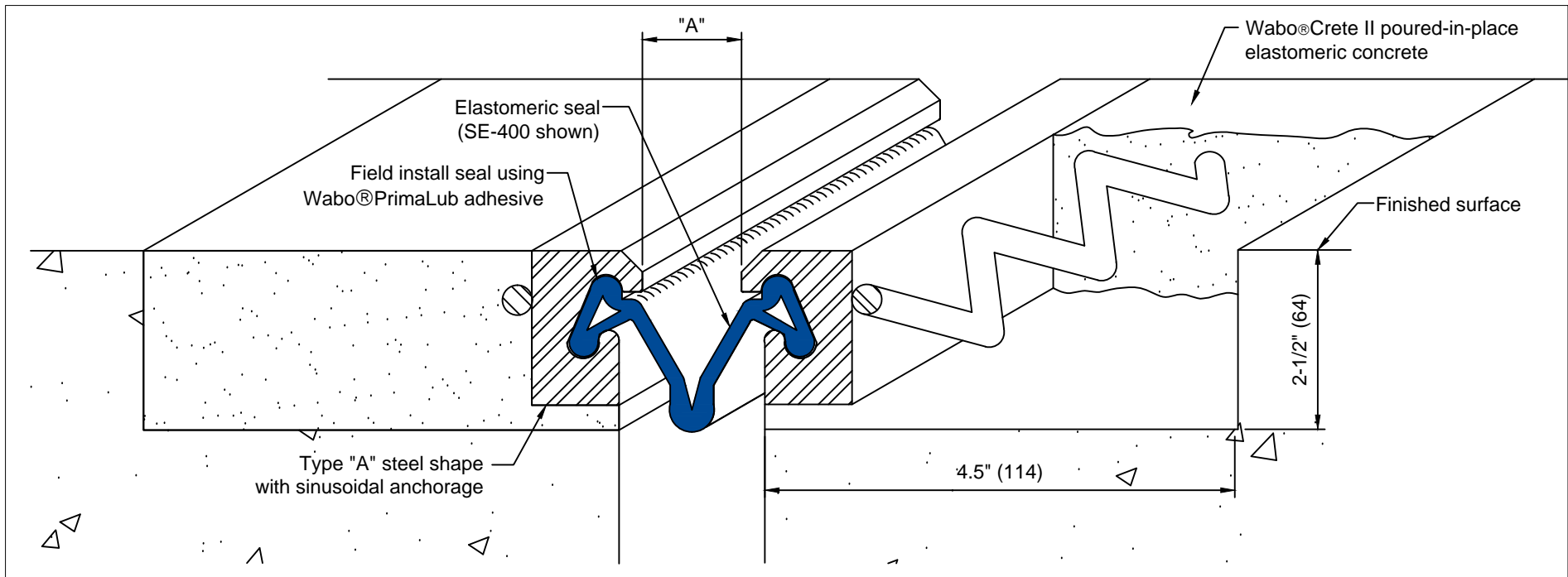


Information provided herein, including but not limited to, any drawing, design, photograph, graphic, or statement(s) ("Materials") are proprietary and the property of Watson Bowman Acme Corporation ("Company"). Reproduction, translation, or reduction to any electronic medium or machine readable form, in whole or part, is strictly prohibited, except for the express purpose for which it has been furnished, without prior written consent of Company. All Materials contained herein are provided by Company for information purposes only. Company reserves the right to amend or withdraw any information contained in the Materials without notice. All technical or other advice by Company, whether verbal or written, concerning products, or the use of products in specific situations ("Advice") is given by Company and is used at the Users own risk.

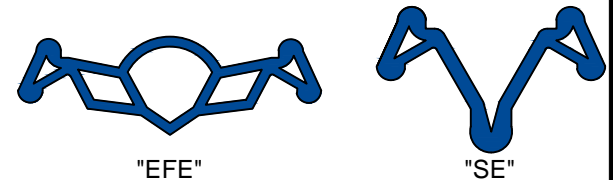
REVISION NO: -

SHEET NO: 1

DRAWING NO: C-20520



Wabo®Crete StripSeal



Model Number	Total Movement		Joint Width "A"				Min. Install Width	
			Min.		Max.			
	Inches	mm	Inches	mm	Inches	mm	Inches	mm
SE-300	3.000	76	0	0	3.000	76	1.500	38
SE-400	4.000	102	0	0	4.000	102	1.500	38
SE-500	5.000	127	0	0	5.000	127	2.000	51
EFE-400	4.000	102	0.500	13	4.500	114	2.500	64

Consult your WBA Representative for factory molded horizontal changes, severe skew s or joint intersections

PROJECT NAME: -

PROJECT LOCATION: -

DRAWING DESCRIPTION:

Wabo®Crete StripSeal

DATE: 10/12/00

MODEL: Type "A"



Watson Bowman Acme Corp.
95 Pineview Drive Amherst, NY 14228
phone: (716) 691-7566 fax: (716) 691-9239
www.wbacorp.com



Information provided herein, including but not limited to, any drawing, design, photograph, graphic, or statement(s) ("Materials") are proprietary and the property of Watson Bowman Acme Corporation ("Company"). Reproduction, translation, or reduction to any electronic medium or machine readable form, in whole or part, is strictly prohibited, except for the express purpose for which it has been furnished, without prior written consent of Company. All Materials contained herein are provided by Company for information purposes only. Company reserves the right to amend or withdraw any information contained in the Materials without notice. All technical or other advice by Company, whether verbal or written, concerning products, or the use of products in specific situations ("Advice") is given by Company and is used at the Users own risk.

REVISION NO:

-

SHEET NO:

1

DRAWING NO:

C-20520