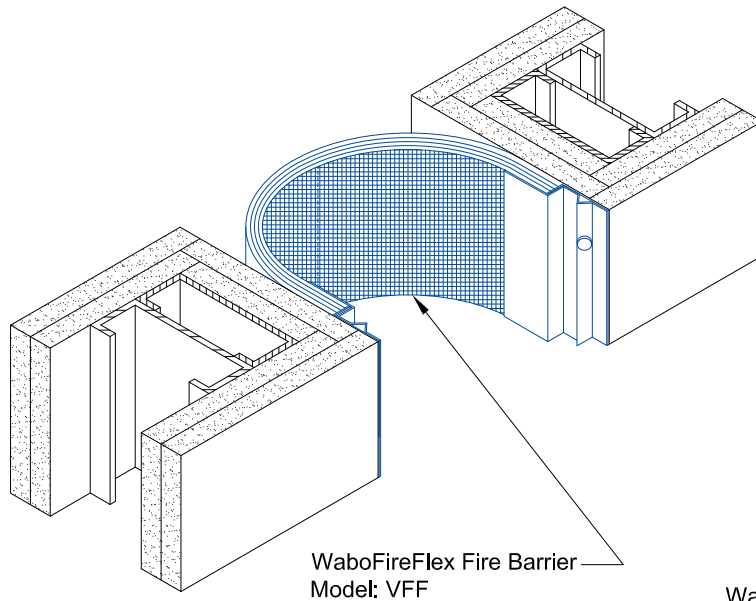
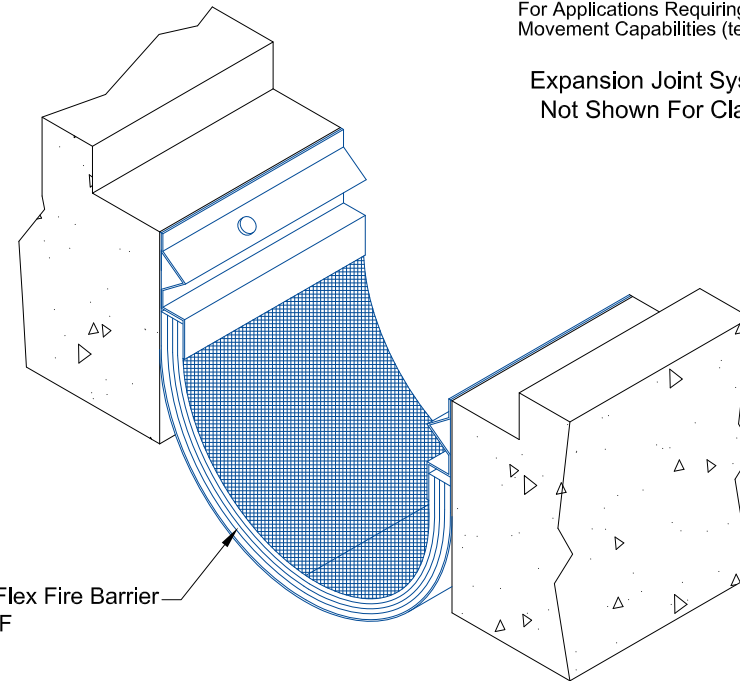


For Applications Requiring Shear  
Movement Capabilities (tested)

Expansion Joint System  
Not Shown For Clarity



WaboFireFlex Fire Barrier  
Model: VFF



WaboFireFlex Fire Barrier  
Model: HFF

Vertical WaboFireFlex		
Model	J.O.	Product Depth @ Install
VFF-01-2	1"	5"
VFF-02-2	2"	5 1/4"
VFF-03-2	3"	5 5/8"
VFF-04-2	4"	6 3/8"
VFF-05-2	5"	8 1/2"
VFF-06-2	6"	7 1/2"
VFF-08-2	8"	8"
VFF-10-2	10"	9"
VFF-12-2	12"	11"
VFF-14-2	14"	14 5/8"
VFF-16-2	16"	16 5/8"
VFF-18-2	18"	19 1/4"
VFF-20-2	20"	21 1/4"

Horizontal WaboFireFlex					
Floor to Floor		Product Depth @ Install	Floor to Wall		Product Depth @ Install
Model	J.O.		Model	J.O.	
HFF-01-2	1"	5"	HFW-01-2	1"	5"
HFF-02-2	2"	5 1/4"	HFW-02-2	2"	5 1/4"
HFF-03-2	3"	5 5/8"	HFW-03-2	3"	5 5/8"
HFF-04-2	4"	6 3/8"	HFW-04-2	4"	6 3/8"
HFF-05-2	5"	8 1/2"	HFW-05-2	5"	8 1/2"
HFF-06-2	6"	7 1/2"	HFW-06-2	6"	7 1/2"
HFF-08-2	8"	8"	HFW-08-2	8"	8"
HFF-10-2	10"	9"	HFW-10-2	10"	9"
HFF-12-2	12"	11"	HFW-12-2	12"	11"
HFF-14-2	14"	14 5/8"	HFW-14-2	14"	14 5/8"
HFF-16-2	16"	16 5/8"	HFW-16-2	16"	16 5/8"
HFF-18-2	18"	19 1/4"	HFW-18-2	18"	19 1/4"
HFF-20-2	20"	21 1/4"	HFW-20-2	20"	21 1/4"

PROJECT NAME: -

PROJECT LOCATION: -

DRAWING DESCRIPTION:

Wabo®FireFlex

DATE: 09/18/17

MODEL: HFF-VFF



Watson Bowman Acme Corp.  
95 Pineview Drive Amherst, NY 14228  
phone: (716) 691-7566 fax: (716) 691-9239  
www.wbacorp.com



Information provided herein, including but not limited to, any drawing, design, photograph, graphic, or statement(s) ("Materials") are proprietary and the property of Watson Bowman Acme Corporation ("Company"). Reproduction, translation, or reduction to any electronic medium or machine readable form, in whole or part, is strictly prohibited, except for the express purpose for which it has been furnished, without prior written consent of Company. All Materials contained herein are provided by Company for information purposes only. Company reserves the right to amend or withdraw any information contained in the Materials without notice. All technical or other advice by Company, whether verbal or written, concerning products, or the use of products in specific situations ("Advice") is given by Company and is used at the Users own risk.

REVISION NO:  
1

SHEET NO:  
1

DRAWING NO:  
C-FireFlex