

Wabo® QuakeWall

High Performance Seismic Wall Panel

Features	Benefits
<ul style="list-style-type: none"> • Spring Hold Down 	Constant force spring pulls panel tight to the exterior, even during seismic displacements. No need to reset after a seismic event.
<ul style="list-style-type: none"> • Panel Lock 	Wall panels are locked from swinging open during everyday service. Positive connection steel rods prevent wall panels from being pried open during every day service.
<ul style="list-style-type: none"> • Slide/Rider Guide Systems 	Guides the panel out of the blockout during seismic events and prevents scraping damage to the exterior wall cladding.
<ul style="list-style-type: none"> • Drop-In & Bolt Modular Installation 	QuakeWall with its modular design is the only seismic wall system available today with a drop-in & bolt installation. Shipped as a single unit, to install simply drop the unit in the blockout and screw in.
<ul style="list-style-type: none"> • Maintenance Latch 	Unlocks the panel, allowing for easy access to the joint gap after installation for inspection purposes.
<ul style="list-style-type: none"> • Reveal Cover System 	An ease of installation and aesthetics treatment feature. The WBA reveal cover allows for drop and screw in installation, hiding installation screws for a pleasing aesthetic finish.
<ul style="list-style-type: none"> • Open pan with rid frame support design 	Allows for ease of a variety of in-fill materials.



DESCRIPTION:

QuakeWall is a high performance exterior/interior wall expansion system joint capable of accommodating large multi-directional thermal/seismic forces and displacements. Its low height open rectangular bed design allows for easy installation of matching wall façade materials.

Constant force springs allow the panel to hug the structure during even the largest seismic movements. It's patented slide/rider system smoothly guides the panel up and out of the blockout, with the rider's soft rubber roller preventing damage to the existing structure façade.

The spring hold-down system eliminates the need for extraneous cabling, safety issues and closing force variability associated with magnets. And there's no need to reset the joint after an extreme event, springs pull the panel back to the



We create chemistry

With its lightweight aluminum modular design, QuakeWall is the only wall system available today with a drop-in & bolt installation. Shipped as a single unit in the panel locked position, to install simply align the unit in the blockout and screw in. Snap on reveal-covers add an aesthetic touch to installation

RECOMMENDED FOR:

- All interior/exterior wall joints requiring large movement capabilities, such as seismic events or extreme wind conditions.
- For use in various construction projects, including Health-care, Transportation, Recreation, Retail, Commercial, Educational, and Parking Garages.

PACKAGING:

- Palletized in 10 foot lengths unless otherwise directed.
- Panel in-fill supplied by others.
- All anchors are packaged in manufacturer’s standard labeled carton.

TECHNICAL DATA:

Movement Table

QWE	Joint Gaps in inches			(in.)
	Min	Mid	Max	Movement Rating (MR)
600	3	6	9	6
700	3	7	11	8
800	4	8	12	8
900	4	9	14	10
1000	4	10	16	12
1100	4	11	18	14
1200	4	12	20	16
1300	4	13	22	18
1400	4	14	24	20
1500	4	15	26	22
1600	4	16	28	24
1700	4	17	30	26
1800	4	18	32	28

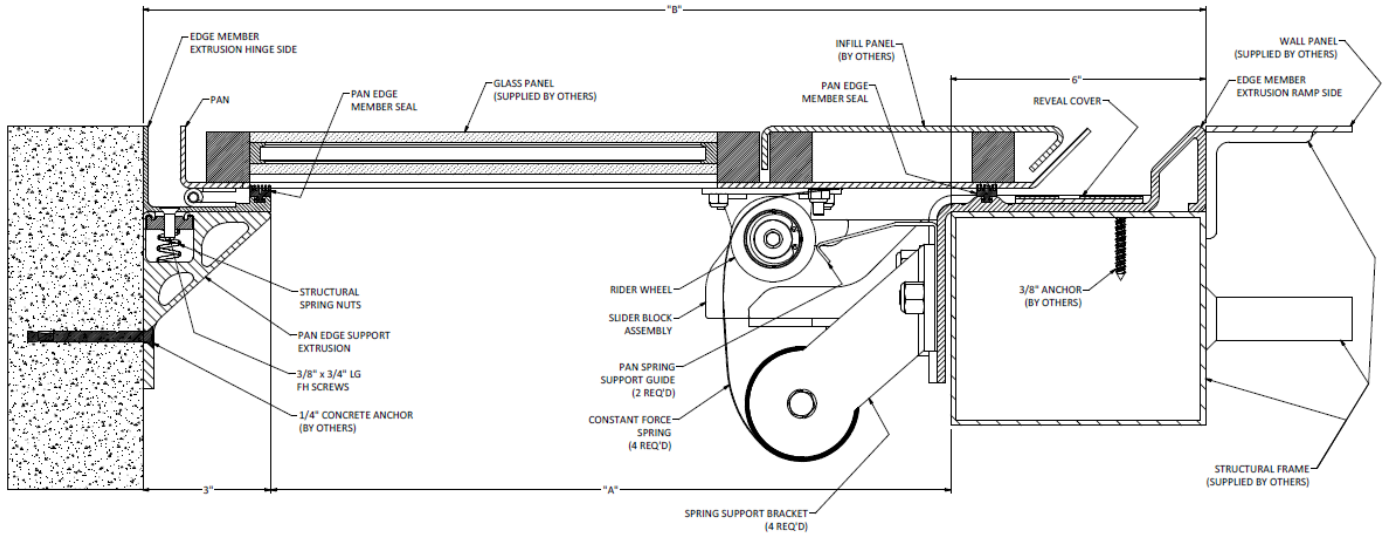
QWE	Joint Gaps in inches			(in.)
	Min	Mid	Max	Movement Rating (MR)
1900	4	19	34	30
2000	4	20	36	32
2200	4	22	40	36
2400	4	24	44	40
2600	4	26	48	44
2800	4	28	52	48
3000	4	30	56	52
3300	4	33	62	58
3600	4	36	68	64
4000	4	40	76	72
4400	4	44	84	80
4800	4	48	92	88





We create chemistry

Components and Blockout



Typical Blockout Dimensions

Depth: 1-5/8", may vary for thick wall cladding.

Hinge side width: 3"

Opening side width: 5"

Panel Restoring Forces

Panel restoring forces ensure wall panels close after seismic events. QuakeWall panel restoring forces are between 100 - 300lbs, depending on model size:

Panel Lock Forces

QWE 800 - QWE 4800 panels remain locked against intrusive prying during thermal service (+/- 3/4" typical). Locking force is 2500lbs.

Materials

QuakeWall is fabricated non-corrosive materials, including aluminum, stainless steel, polyurethane, nylon, and neoprene.

Watson Bowman Acme Corp.
95 Pineview Drive
Amherst, NY 14228
phone: 716-691-7566
fax: 716-691-9239
wbacorp.com





We create chemistry

APPLICATION:

INSTALLATION SUMMARY:

- QuakeWall is designed for easy installation using 3 basic steps;
 1. Locate QuakeWall module (closed) into joint blockout
 2. Screw edge members from outside (18 screws per 10 foot panel typical)
 3. Snap on reveal cover
- Panel infill to match structure wall cladding to be supplied by others. Cladding may be applied either before or after QuakeWall installation.
- Joint blockouts should be dimensioned and prepared to receive QuakeWall module as shown on WBA submitted and approved engineering drawings.
- Optional WBA Gutterflex product is available for additional water and debris protection. Please see Gutterflex product data sheets for installation details.
- Protect all expansion joint components from damage during installation and protect finished installation from damage during other work activities.
- Expansion joint shall be installed in accordance with manufacturers' typical details and installation procedures.

LIMITED WARRANTY:

Watson Bowman Acme Corp. warrants that this product conforms to its current applicable specifications. WATSON BOWMAN ACME CORP. MAKES NO OTHER WARRANTY, EXPRESS OR IMPLIED, INCLUDING ANY WARRANTY OF MERCHANTABILITY OR WARRANTY OF FITNESS FOR A PARTICULAR PURPOSE. The sole and exclusive remedy of Purchaser for any claim concerning this product, including, but not limited to, claims alleging breach of warranty, negligence, strict liability or otherwise, is the replacement of product or refund of the purchase price, at the sole option of Watson Bowman Acme Corp. Any claims concerning this product shall be submitted in writing within one year of the delivery date of this product to Purchaser and any claims not presented within that period are waived by Purchaser. IN NO EVENT SHALL WATSON BOWMAN ACME CORP. BE LIABLE FOR ANY SPECIAL, INCIDENTAL, CONSEQUENTIAL (INCLUDES LOSS OF PROFITS) OR PUNITIVE DAMAGES. Other warranties may be available when the product is installed by a factory trained installer. Contact your local Watson Bowman Acme representative for details. The data expressed herein is true and accurate to the best of our knowledge at the time published; it is, however, subject to change without notice.

Wabo®QuakeWall_01-17

FOR BEST RESULTS:

- Ensure that the panel is locked before anchoring the QuakeWall module to the structure.
- Blockout area should be flat, clean, and dimensionally accurate prior to installation.
- Ensure all screws are installed. Utilize Loctite or other thread locker.
- Check that the latch can be unlocked easily, and the panel can be opened. Panels have a 100-300 lb spring closing force, employ appropriate safety measures when opening and closing the panel.
- Proper installation is the responsibility of the user. Field visits by WBA personnel are for the purpose of making technical recommendations

Watson Bowman Acme Corp.
95 Pineview Drive
Amherst, NY 14228
phone: 716-691-7566
fax: 716-691-9239
wbacorp.com

