



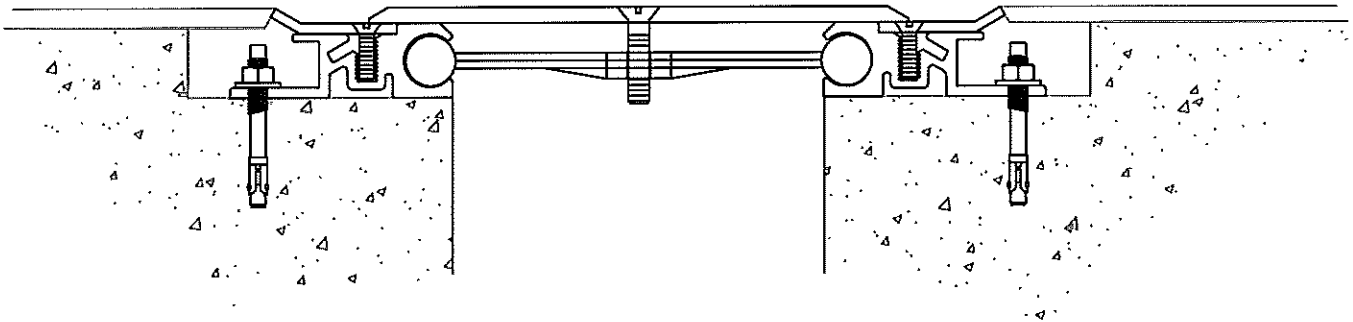
Installation Procedure

Watson Bowman Acme Corp. 95 Pineview Drive Amherst, NY 14228

phone: (716) 691-7566 fax: (716) 691-9239

website: www.wbacorp.com

Information provided herein, including but not limited to, any drawing, design, photograph, graphic, or statement(s) ("Materials") are proprietary and the property of Watson Bowman Acme Corporation ("Company"). Reproduction, translation, or reduction to any electronic medium or machine readable form, in whole or part, is strictly prohibited, except for the express purpose for which it has been furnished, without prior written consent of Company. All Materials contained herein are provided by Company for information purposes only. Company reserves the right to amend or withdraw any Information contained in the Materials without notice. All technical or other advice by Company, whether verbal or written, concerning products, or the use of products in specific situations ("Advice") is given by Company and is used at the Users own risk.



Wabo® SeismicFloor Series Model(s) FJX & FJX-C Horizontal Expansion Control Systems

The following installation procedure is very important and must be fully understood prior to beginning any work. To ensure proper installation and performance of expansion joint system the following actions must be completed by the installing contractor. Failure to do so will affect product warranty.

- 1) Carefully read and understand installation procedure. Contact WBA's Technical Service Department at (800) 677-4922 for product assistance.
- 2) Inspect all shipments and materials for missing or damaged components and hardware. Contact Customer Service at (800) 677-4922 with WBA's order number and invoice for prompt assistance.
- 3) Inspect substrate or adjacent construction for acceptance before beginning work. Report unacceptable construction to the project manager for scheduled repair work.
- 4) Review WBA shop drawings for project specific detailed information if Engineering services were purchased at time of order.

Standard components



1/4" x 2 1/4" Threaded Concrete Anchor w/nut & washer
P/n: 6581



Aluminum Base Extrusion
P/n: 15804



* Aluminum Wall Mount Extrusion
P/n: 17032



1/4" X 1 1/4" Lg Screw
P/n: 5621

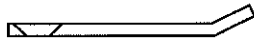


1/4" X 3/4" Lg Screw
P/n: 5620

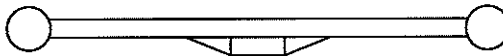


* 1/4" Dia Tapcon Concrete Anchor
P/n: 6517

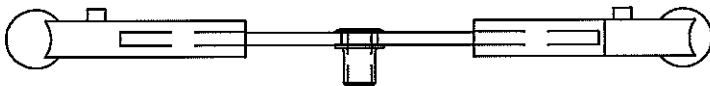
Components shown below vary in size depending on model of system



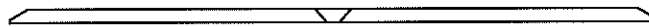
Extension profile



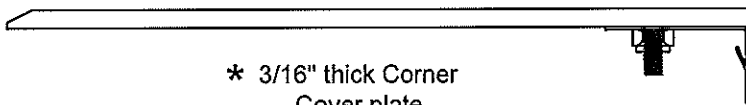
Self-centering bar
model FJX-200



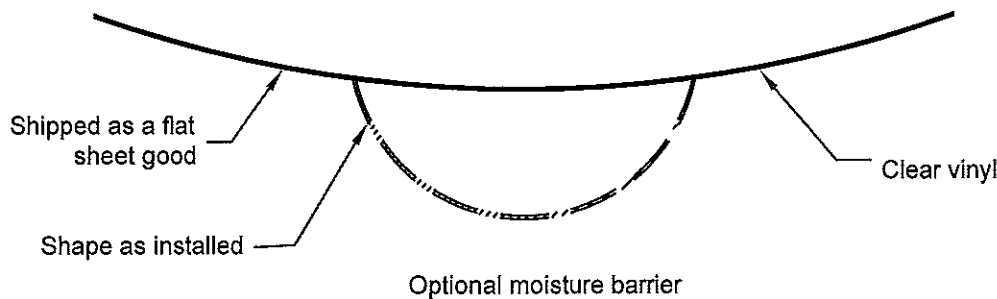
Self-centering bar
models FJX-400 thru FJX-2400



3/16" thick cover plate



* 3/16" thick Corner Cover plate

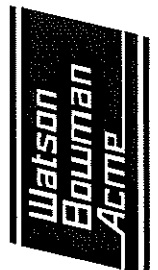


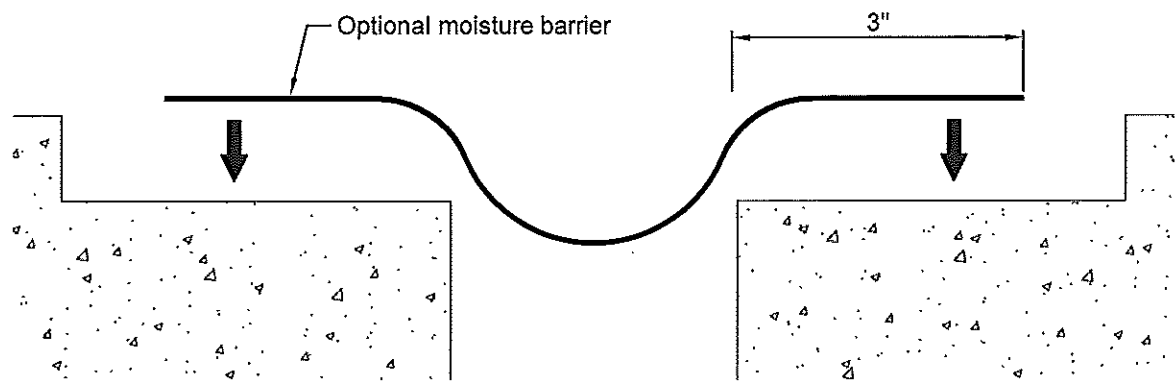
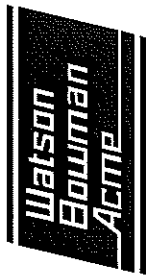
* - Denotes Corner Condition

Watson Bowman Acme Corp.
95 Pineview Drive Amherst, NY 14228
phone: (716) 691-7566 fax: (716) 691-9239
website: www.wbcorp.com

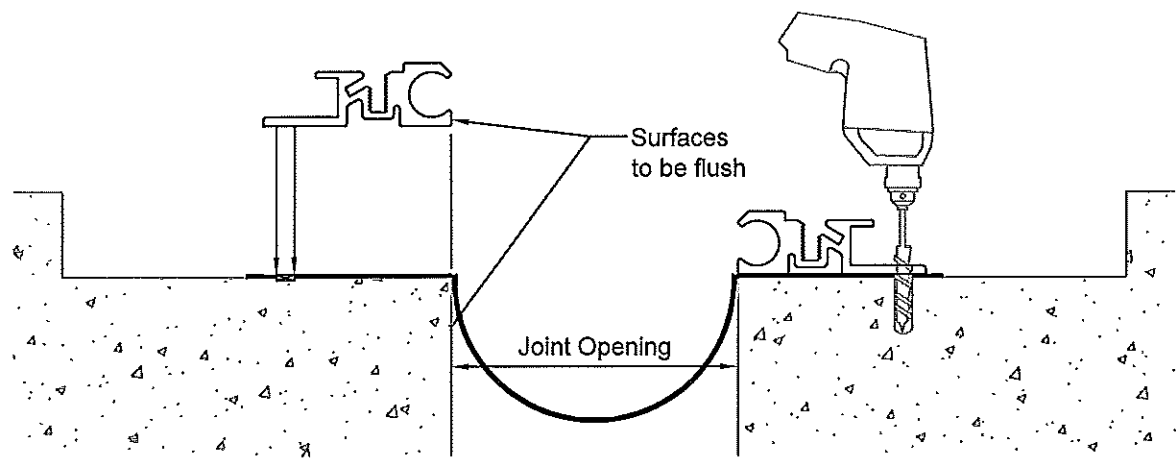
Installation procedure: FJX SeismicFloor Sys.

Watson Bowman Acme Corp. reserves the right to amend or withdraw any information contained herein without notice and will not be responsible for any inaccuracy or ambiguity of any information contained herein.

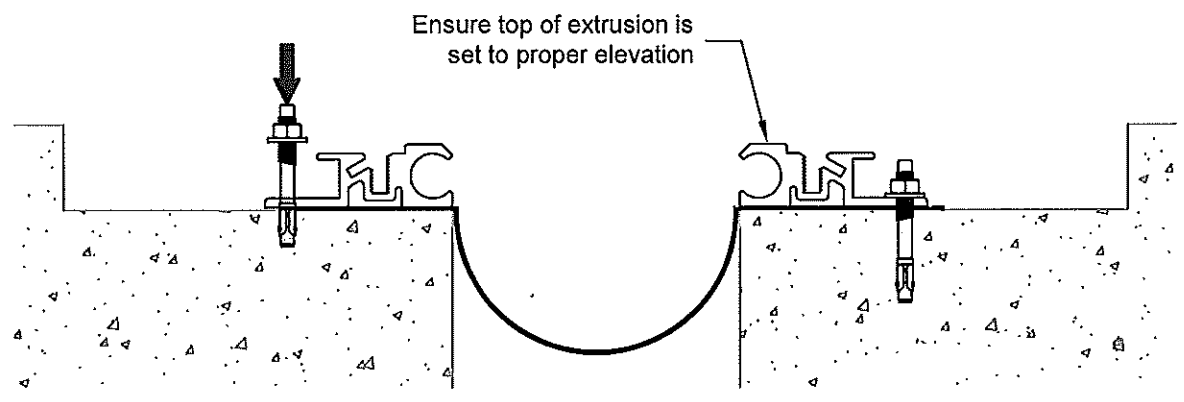




1 **Optional:**
Position the moisture barrier into the blockout. Maintain proper overlap and temporarily affix with duct tape.

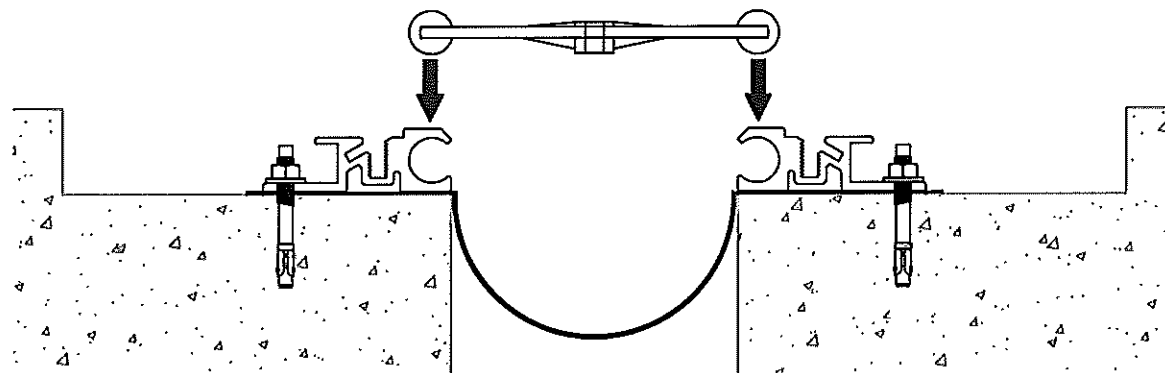


2 Position the base member assembly on block out so cavity of base member is flush with the edge of the opening. Using base member as a template and with it's position fixed, drill hole for 1/4" x 2 1/4" concrete anchor to proper depth. Clean out holes.

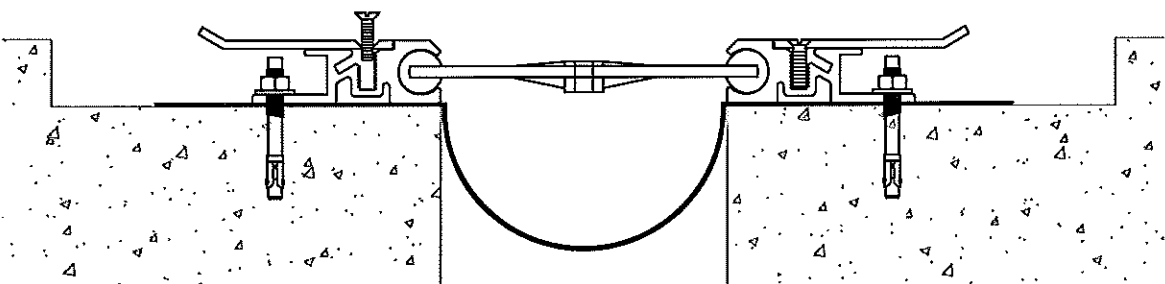


3 Follow manufacture's recommendations for proper anchor installation. Remove all debris from moisture barrier by utilizing shop vac. Caution - Do Not install all base members prior to reviewing step 4.

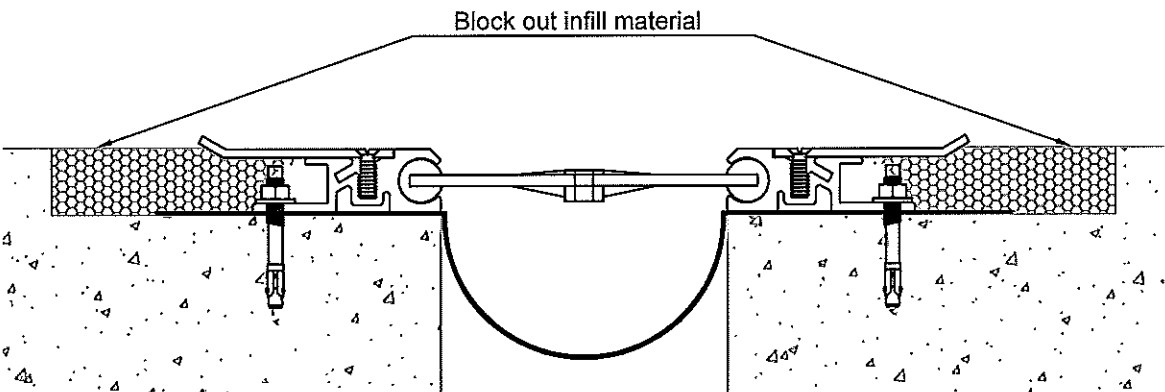
Watson Bowman Acme Corp.
 95 Pineview Drive Amherst, NY 14228
 phone: (716) 691-7566 fax: (716) 691-9239
 website: www.wbcorp.com



4 As work progresses with placement of base members, install self-centering bars by sliding the spherical ends of the bars into and through the circular cavities of the base members. Set at an approximate spacing of 18" O.C. ensure that the "TOP" indicator is facing up and that all bars are in the same orientation.

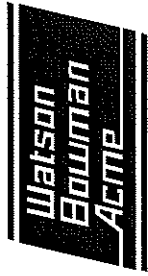


5 Attach extension profile to base member utilizing 1/4" diameter machine screw.

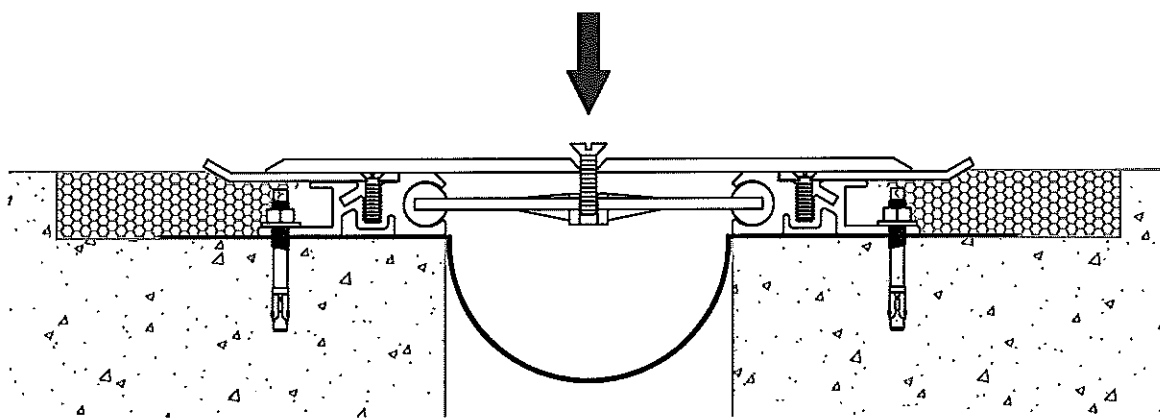
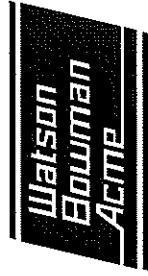


6 Fill block out with high quality non-shrink cementitious filler material. Protect surfaces during placement of filler material.

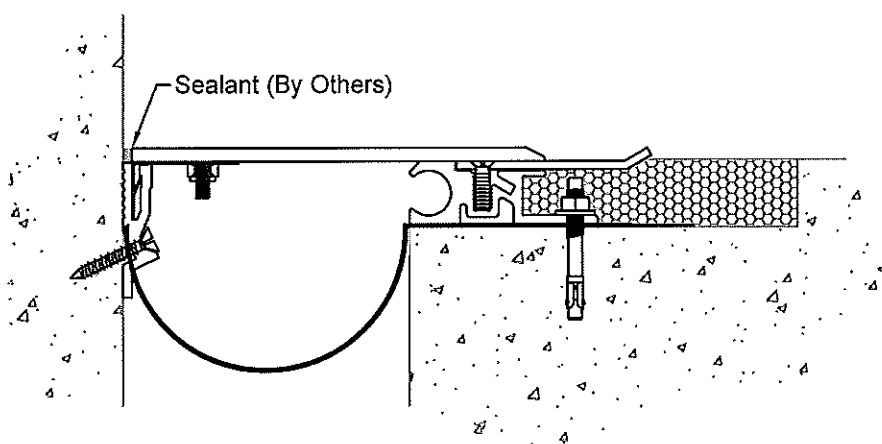
Installation procedure: FJX SeismicFloor Sys.
 Watson Bowman Acme Corp. reserves the right to amend or withdraw any information contained herein without notice and will not be responsible for any inaccuracy or ambiguity of any information contained herein.



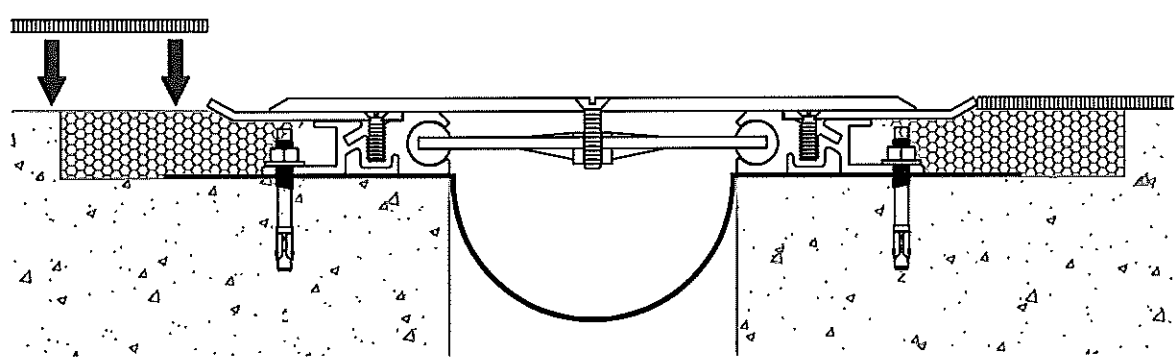
Installation procedure: FJX SeismicFloor Sys.
Watson Bowman Acme Corp. reserves the right to amend or withdraw any information contained herein without notice and will not be responsible for any inaccuracy or ambiguity of any information contained herein.



7 Position the coverplate over the expansion opening, align the pre-drilled holes in the slide plate with threaded insert in self-centering bars. Fasten with 1/4" x 1 1/4" flat head machine screws. Tighten to create measurable tension in the bar.



8 Position the coverplate with spring steel extension over the wall mounted aluminum bracket and slide down into extrusion. After the cover plate has been installed, contractor shall apply a continuous bead of sealant (By Others) along edge of coverplate assembly and face of wall.



9 Install flooring material ensuring that it is flush with the top of the expansion joint system. Caution - contact flooring manufacturer to discuss application and procedure for proper installation.