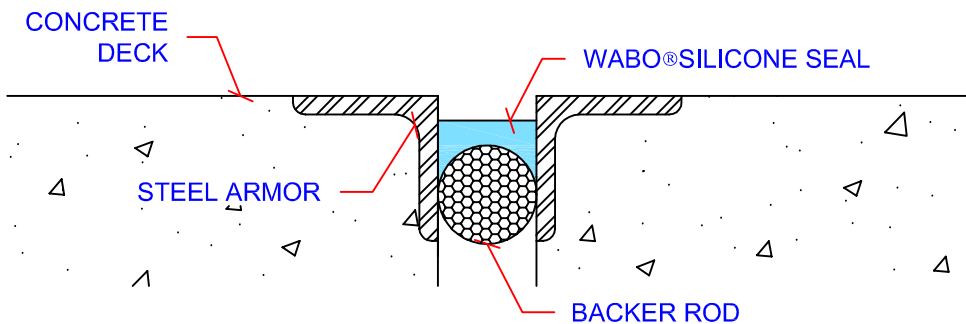
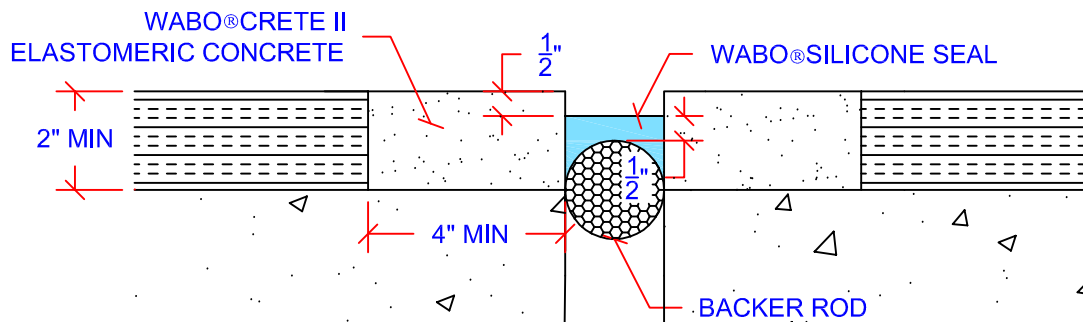


Concrete Condition



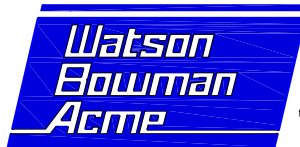
Armored Condition



Elastomeric Concrete Condition

Wabo®SiliconeSeal

Model:



Watson Bowman Acme Corp.
 95 Pineview Drive Amherst, NY 14228
 phone: (716) 691-7566 fax: (716) 691-9239
www.wbacorp.com



Information provided herein, including but not limited to, any drawing, design, photograph, graphic, or statement(s) ("Materials") are proprietary and the property of Watson Bowman Acme Corporation ("Company"). Reproduction, translation, or reduction to any electronic medium or machine readable form, in whole or part, is strictly prohibited, except for the express purpose for which it has been furnished, without prior written consent of Company. All Materials contained herein are provided by Company for information purposes only. Company reserves the right to amend or withdraw any information contained in the Materials without notice. All technical or other advice by Company, whether verbal or written, concerning products, or the use of products in specific situations ("Advice") is given by Company and is used at the Users own risk.

DETAILED BY: CTW	DATE: 12/14/06
CHECKED BY: WBA	CURRENT ISSUE: 12/14/06
SHEET NO: 1	DRAWING NO: C - 20521